



US011596427B2

(12) **United States Patent**  
**Epstein et al.**

(10) **Patent No.:** **US 11,596,427 B2**  
(45) **Date of Patent:** **\*Mar. 7, 2023**

(54) **TOOLS FOR SHEATHING TREATMENT DEVICES AND ASSOCIATED SYSTEMS AND METHODS**

(58) **Field of Classification Search**  
CPC ..... A61B 17/221; A61B 2017/0053; A61B 2017/2215; A61M 25/0194;  
(Continued)

(71) Applicant: **Covidien LP**, Mansfield, MA (US)  
(72) Inventors: **Evan David Epstein**, Costa Mesa, CA (US); **Joseph Marrocco**, Costa Mesa, CA (US); **David G. Matsuura**, Del Mar, CA (US); **Philip J. Simpson**, Escondido, CA (US); **Jeffrey J. Loos**, Carlsbad, CA (US); **Adam Hattan**, Long Beach, CA (US)

(56) **References Cited**  
U.S. PATENT DOCUMENTS  
2,918,919 A 12/1959 Wallace  
2,943,626 A 7/1960 Enrico  
(Continued)

(73) Assignee: **COVIDIEN LP**, Mansfield, MA (US)  
(\* ) Notice: Subject to any disclaimer, the term of this patent is extended or adjusted under 35 U.S.C. 154(b) by 184 days.  
This patent is subject to a terminal disclaimer.

FOREIGN PATENT DOCUMENTS  
CN 1640505 A 7/2005  
CN 102036611 A 4/2011  
(Continued)

(21) Appl. No.: **17/249,549**

OTHER PUBLICATIONS  
European Search Report dated Feb. 8, 2021; European Patent Application No. 18819768.5; 8 pages.

(22) Filed: **Mar. 4, 2021**

*Primary Examiner* — Erich G Herbermann  
(74) *Attorney, Agent, or Firm* — Fortem IP LLP; Mary Fox

(65) **Prior Publication Data**  
US 2021/0186538 A1 Jun. 24, 2021

(57) **ABSTRACT**

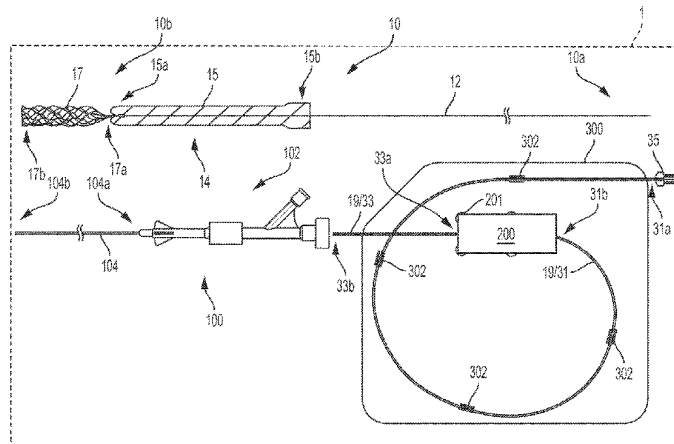
**Related U.S. Application Data**

Devices for loading intravascular treatment devices into a sheath and associated systems and methods are disclosed herein. A sheathing tool may include, for example, a first channel extending to a first opening, the first channel configured to receive a treatment device in a constrained state therethrough. The treatment device may include an elongated member and a first element and a second element at a distal region of the elongated member. The second channel may extend to a second opening, the second opening surrounded by a sidewall and configured to receive the treatment device in the constrained state therethrough, wherein the second opening is spaced apart from the first opening by a gap, and wherein a length of the gap is great enough to allow the first element to self-expand over the sidewall while  
(Continued)

(62) Division of application No. 16/007,961, filed on Jun. 13, 2018, now Pat. No. 10,945,746.  
(Continued)

(51) **Int. Cl.**  
**A61F 2/82** (2013.01)  
**A61B 17/221** (2006.01)  
(Continued)

(52) **U.S. Cl.**  
CPC ..... **A61B 17/221** (2013.01); **A61M 25/0194** (2013.01); **A61B 2017/0053** (2013.01);  
(Continued)



the second element generally maintains its diameter in the constrained state while crossing the gap.

**5 Claims, 14 Drawing Sheets**

**Related U.S. Application Data**

- (60) Provisional application No. 62/518,586, filed on Jun. 12, 2017.
- (51) **Int. Cl.**  
*A61M 25/01* (2006.01)  
*A61F 2/962* (2013.01)  
*A61M 25/00* (2006.01)  
*A61M 25/06* (2006.01)  
*A61B 17/00* (2006.01)
- (52) **U.S. Cl.**  
 CPC ..... *A61B 2017/2215* (2013.01); *A61F 2/962* (2013.01); *A61M 2025/0034* (2013.01); *A61M 2025/0681* (2013.01)
- (58) **Field of Classification Search**  
 CPC ... *A61M 2025/0034*; *A61M 2025/0681*; *A61F 2/962*; *A61F 2/95*; *A61F 2/94*; *A61F 2/9517*; *A61F 2/9522*; *A61F 2/82*; *A61F 2/24*; *A61F 2002/9505*  
 See application file for complete search history.

(56) **References Cited**

U.S. PATENT DOCUMENTS

3,996,938 A	12/1976	Clark, III	
4,347,846 A	9/1982	Dormia	
4,611,594 A	9/1986	Grayhack et al.	
4,650,466 A	3/1987	Luther	
4,657,020 A	4/1987	Lifton	
4,699,147 A	10/1987	Chilson et al.	
4,790,812 A	12/1988	Hawkins, Jr. et al.	
4,807,626 A	2/1989	Mcgirr	
4,832,055 A	5/1989	Palestrant	
4,873,978 A	10/1989	Ginsburg	
4,969,891 A	11/1990	Gewertz	
4,998,539 A	3/1991	Delsanti	
5,034,001 A	7/1991	Garrison et al.	
5,057,114 A	10/1991	Wittich et al.	
5,059,178 A	10/1991	Ya	
5,102,415 A	4/1992	Guenther et al.	
5,147,400 A	9/1992	Kaplan et al.	
5,152,777 A	10/1992	Goldberg et al.	
5,192,286 A	3/1993	Phan et al.	
5,300,086 A	4/1994	Gory et al.	
5,329,942 A	7/1994	Gunther et al.	
5,443,478 A	8/1995	Purdy	
5,449,372 A	9/1995	Schmaltz et al.	
5,458,375 A	10/1995	Anspach, Jr. et al.	
5,490,859 A	2/1996	Mische et al.	
5,496,330 A	3/1996	Bates et al.	
5,509,900 A	4/1996	Kirkman	
5,653,684 A	8/1997	Laptewicz et al.	
5,658,296 A	8/1997	Bates et al.	
5,709,704 A	1/1998	Nott et al.	
5,733,302 A	3/1998	Myler et al.	
5,741,325 A	4/1998	Chaikof et al.	
5,792,156 A	8/1998	Perouse	
5,827,324 A	10/1998	Cassell et al.	
5,846,251 A	12/1998	Hart	
5,895,398 A	4/1999	Wensel et al.	
5,911,710 A *	6/1999	Barry ..... A61M 39/0693 604/167.04	
5,941,869 A	8/1999	Patterson et al.	
5,947,995 A	9/1999	Samuels	

5,968,090 A	10/1999	Ratcliff et al.	
5,971,938 A	10/1999	Hart et al.	
5,972,019 A	10/1999	Engelson et al.	
5,984,957 A	11/1999	Laptewicz, Jr. et al.	
6,001,118 A	12/1999	Daniel et al.	
6,033,394 A	3/2000	Vidlund et al.	
6,042,598 A	3/2000	Tsugita et al.	
6,053,932 A	4/2000	Daniel et al.	
6,066,149 A	5/2000	Samson et al.	
6,066,158 A	5/2000	Engelson et al.	
6,096,053 A	8/2000	Bates	
6,099,534 A	8/2000	Bates et al.	
6,146,403 A	11/2000	St. Germain	
6,159,220 A	12/2000	Gobron et al.	
6,165,200 A	12/2000	Tsugita et al.	
6,168,603 B1	1/2001	Leslie et al.	
6,174,318 B1	1/2001	Bates et al.	
6,176,873 B1	1/2001	Ouchi	
6,190,394 B1	2/2001	Lind et al.	
6,217,609 B1	4/2001	Haverkost	
6,221,006 B1	4/2001	Dubrul et al.	
6,238,412 B1	5/2001	Dubrul et al.	
6,245,088 B1	6/2001	Lowery	
6,245,089 B1	6/2001	Daniel et al.	
6,248,113 B1	6/2001	Fina	
6,264,664 B1	7/2001	Avellanet	
6,302,895 B1	10/2001	Gobron et al.	
6,309,399 B1	10/2001	Barbut et al.	
6,348,056 B1	2/2002	Bates et al.	
6,350,266 B1	2/2002	White et al.	
6,364,895 B1	4/2002	Greenhalgh	
6,371,971 B1	4/2002	Tsugita et al.	
6,383,195 B1	5/2002	Richard	
6,383,196 B1	5/2002	Leslie et al.	
6,391,044 B1	5/2002	Yadav et al.	
6,409,750 B1	6/2002	Hydoh et al.	
6,416,505 B1	7/2002	Fleischman et al.	
6,425,909 B1	7/2002	Dieck et al.	
6,436,112 B2	8/2002	Wensel et al.	
6,443,972 B1	9/2002	Bosma et al.	
6,458,139 B1	10/2002	Palmer et al.	
6,485,497 B2	11/2002	Wensel et al.	
6,494,884 B2	12/2002	Gifford, III et al.	
6,506,204 B2	1/2003	Mazzocchi	
6,514,273 B1	2/2003	Voss et al.	
6,530,935 B2	3/2003	Wensel et al.	
6,540,657 B2	4/2003	Cross, III et al.	
6,540,768 B1	4/2003	Diaz et al.	
6,551,342 B1	4/2003	Shen et al.	
6,575,997 B1	6/2003	Palmer et al.	
6,585,753 B2	7/2003	Eder et al.	
6,592,605 B2	7/2003	Lenker et al.	
6,592,607 B1	7/2003	Palmer et al.	
6,602,271 B2	8/2003	Adams et al.	
6,605,102 B1	8/2003	Mazzocchi et al.	
6,610,077 B1	8/2003	Hancock et al.	
6,616,679 B1	9/2003	Khosravi et al.	
6,620,148 B1	9/2003	Tsugita	
6,635,068 B1	10/2003	Dubrul et al.	
6,636,758 B2	10/2003	Sanchez et al.	
6,638,245 B2	10/2003	Miller et al.	
6,638,293 B1	10/2003	Makower et al.	
6,641,590 B1	11/2003	Palmer et al.	
6,645,199 B1	11/2003	Jenkins et al.	
6,652,505 B1	11/2003	Tsugita	
6,652,548 B2	11/2003	Evans et al.	
6,660,021 B1	12/2003	Palmer et al.	
6,663,650 B2	12/2003	Sepetka et al.	
6,673,042 B1	1/2004	Samson et al.	
6,679,893 B1	1/2004	Tran	
6,685,738 B2	2/2004	Chouinard et al.	
6,692,508 B2	2/2004	Wensel et al.	
6,692,509 B2	2/2004	Wensel et al.	
6,695,858 B1	2/2004	Dubrul et al.	
6,702,782 B2	3/2004	Miller et al.	
6,730,104 B1	5/2004	Sepetka et al.	
6,745,080 B2	6/2004	Koblish	
6,746,468 B1	6/2004	Sepetka et al.	
6,749,619 B2	6/2004	Ouriel et al.	

(56)

## References Cited

## U.S. PATENT DOCUMENTS

6,755,813	B2	6/2004	Ouriel et al.	2002/0004667	A1	1/2002	Adams et al.
6,800,080	B1	10/2004	Bates	2002/0026211	A1	2/2002	Khosravi et al.
6,824,545	B2	11/2004	Sepetka et al.	2002/0058904	A1	5/2002	Boock et al.
6,855,155	B2	2/2005	Denardo et al.	2002/0062135	A1	5/2002	Mazzocchi et al.
6,872,211	B2	3/2005	White et al.	2002/0072764	A1	6/2002	Sepetka et al.
6,872,216	B2	3/2005	Daniel et al.	2002/0072765	A1	6/2002	Mazzocchi et al.
6,890,341	B2	5/2005	Dieck et al.	2002/0082558	A1	6/2002	Samson et al.
6,893,431	B2	5/2005	Naimark et al.	2002/0123765	A1	9/2002	Sepetka et al.
6,905,503	B2	6/2005	Gifford, III et al.	2002/0138094	A1	9/2002	Borillo et al.
6,913,612	B2	7/2005	Palmer et al.	2002/0151928	A1	10/2002	Leslie et al.
6,936,059	B2	8/2005	Belef	2002/0169474	A1	11/2002	Kusleika et al.
6,939,362	B2	9/2005	Boyle et al.	2002/0188314	A1	12/2002	Anderson et al.
6,945,977	B2	9/2005	Demarais et al.	2002/0193825	A1	12/2002	Mcguckin et al.
6,953,465	B2	10/2005	Dieck et al.	2003/0004542	A1	1/2003	Wensel et al.
6,964,672	B2	11/2005	Brady et al.	2003/0023265	A1	1/2003	Forber
7,004,955	B2	2/2006	Shen et al.	2003/0040771	A1	2/2003	Hydoh et al.
7,004,956	B2	2/2006	Palmer et al.	2003/0050663	A1	3/2003	Khachin et al.
7,037,320	B2	5/2006	Brady et al.	2003/0060782	A1	3/2003	Bose et al.
7,041,126	B2	5/2006	Shin et al.	2003/0093087	A1	5/2003	Jones et al.
7,048,014	B2	5/2006	Hydoh et al.	2003/0144687	A1	7/2003	Brady et al.
7,058,456	B2	6/2006	Pierce	2003/0153935	A1	8/2003	Mialhe
7,097,653	B2	8/2006	Freudenthal et al.	2003/0176884	A1	9/2003	Berrada et al.
7,101,380	B2	9/2006	Khachin et al.	2003/0195556	A1	10/2003	Stack et al.
7,169,165	B2	1/2007	Belef et al.	2004/0068288	A1	4/2004	Palmer et al.
7,179,273	B1	2/2007	Palmer et al.	2004/0073243	A1	4/2004	Sepetka et al.
7,182,771	B1	2/2007	Houser et al.	2004/0079429	A1	4/2004	Miller et al.
7,235,061	B2	6/2007	Tsugita	2004/0133232	A1	7/2004	Rosenbluth et al.
7,240,516	B2	7/2007	Pryor	2004/0138692	A1	7/2004	Phung et al.
7,399,308	B2	7/2008	Borillo et al.	2004/0153025	A1	8/2004	Seifert et al.
7,534,252	B2	5/2009	Sepetka et al.	2004/0153118	A1	8/2004	Clubb et al.
7,578,830	B2	8/2009	Kusleika et al.	2004/0172056	A1	9/2004	Guterman et al.
7,621,870	B2	11/2009	Berrada et al.	2004/0199201	A1	10/2004	Kellett et al.
7,837,702	B2	11/2010	Bates	2004/0199243	A1	10/2004	Yodfat
8,070,791	B2	12/2011	Ferrera et al.	2004/0210116	A1	10/2004	Nakao
8,088,140	B2	1/2012	Ferrera et al.	2004/0267301	A1	12/2004	Boylan et al.
8,105,333	B2	1/2012	Sepetka et al.	2005/0004594	A1	1/2005	Nool et al.
8,197,493	B2	6/2012	Ferrera et al.	2005/0033348	A1	2/2005	Sepetka et al.
8,603,014	B2	12/2013	Alleman et al.	2005/0038447	A1	2/2005	Huffmaster
8,795,305	B2	8/2014	Martin et al.	2005/0043680	A1	2/2005	Segal et al.
8,837,800	B1	9/2014	Bammer et al.	2005/0043756	A1	2/2005	Lavelle et al.
9,119,656	B2	9/2015	Bose et al.	2005/0049619	A1	3/2005	Sepetka et al.
9,126,018	B1	9/2015	Garrison	2005/0055033	A1	3/2005	Leslie et al.
9,211,132	B2	12/2015	Bowman	2005/0055047	A1	3/2005	Greenhalgh
9,241,699	B1	1/2016	Kume et al.	2005/0059995	A1	3/2005	Sepetka et al.
9,254,371	B2	2/2016	Martin et al.	2005/0080356	A1	4/2005	Dapolito et al.
9,265,512	B2	2/2016	Garrison et al.	2005/0085826	A1	4/2005	Nair et al.
9,308,007	B2	4/2016	Cully et al.	2005/0085847	A1	4/2005	Galdonik et al.
9,427,244	B2	8/2016	Lund-Clausen et al.	2005/0085849	A1	4/2005	Sepetka et al.
9,445,828	B2	9/2016	Turjman et al.	2005/0090857	A1	4/2005	Kusleika et al.
9,445,829	B2	9/2016	Brady et al.	2005/0090858	A1	4/2005	Pavlovic
9,463,036	B2	10/2016	Brady et al.	2005/0125024	A1	6/2005	Sepetka et al.
9,492,637	B2	11/2016	Garrison et al.	2005/0131450	A1	6/2005	Nicholson et al.
9,539,022	B2	1/2017	Bowman	2005/0171566	A1	8/2005	Kanamaru
9,561,345	B2	2/2017	Garrison et al.	2005/0203571	A1	9/2005	Mazzocchi et al.
9,579,119	B2	2/2017	Cully et al.	2005/0209609	A1	9/2005	Wallace
9,585,741	B2	3/2017	Ma	2005/0216030	A1	9/2005	Sepetka et al.
9,642,635	B2	5/2017	Vale et al.	2005/0216050	A1	9/2005	Sepetka et al.
9,655,633	B2	5/2017	Leynov et al.	2005/0234501	A1	10/2005	Barone
9,717,519	B2	8/2017	Rosenbluth et al.	2005/0234505	A1	10/2005	Diaz et al.
9,737,318	B2	8/2017	Monstadt et al.	2005/0277978	A1	12/2005	Greenhalgh
9,770,251	B2	9/2017	Bowman et al.	2005/0283166	A1	12/2005	Greenhalgh
9,801,643	B2	10/2017	Hansen et al.	2005/0283186	A1	12/2005	Berrada et al.
9,861,783	B2	1/2018	Garrison et al.	2006/0004404	A1	1/2006	Khachin et al.
9,962,178	B2	5/2018	Greenhalgh et al.	2006/0009784	A1	1/2006	Behl et al.
9,993,257	B2	6/2018	Losordo et al.	2006/0030925	A1	2/2006	Pryor
10,028,782	B2	7/2018	Orion	2006/0047286	A1	3/2006	West
10,029,008	B2	7/2018	Creighton	2006/0058836	A1	3/2006	Bose et al.
10,039,906	B2	8/2018	Kume et al.	2006/0058837	A1	3/2006	Bose et al.
10,327,883	B2	6/2019	Yachia et al.	2006/0058838	A1	3/2006	Bose et al.
10,945,746	B2	3/2021	Epstein et al.	2006/0095070	A1	5/2006	Gilson et al.
2001/0041909	A1	11/2001	Tsugita et al.	2006/0129166	A1	6/2006	Lavelle
2001/0044632	A1	11/2001	Daniel et al.	2006/0129180	A1	6/2006	Tsugita et al.
2001/0044634	A1	11/2001	Don et al.	2006/0155305	A1	7/2006	Freudenthal et al.
2001/0051810	A1	12/2001	Dubrul et al.	2006/0190070	A1	8/2006	Dieck et al.
2002/0002396	A1	1/2002	Fulkerson	2006/0195137	A1	8/2006	Sepetka et al.
				2006/0229638	A1	10/2006	Abrams et al.
				2006/0253145	A1	11/2006	Lucas
				2006/0271153	A1	11/2006	Garcia et al.
				2006/0276805	A1	12/2006	Yu

(56)

References Cited

U.S. PATENT DOCUMENTS

2006/0282111 A1 12/2006 Morsi  
 2006/0287668 A1 12/2006 Fawzi et al.  
 2007/0112374 A1 5/2007 Paul et al.  
 2007/0118165 A1 5/2007 Demello et al.  
 2007/0149996 A1 6/2007 Coughlin  
 2007/0185500 A1 8/2007 Martin et al.  
 2007/0185501 A1 8/2007 Martin et al.  
 2007/0197103 A1 8/2007 Martin et al.  
 2007/0198029 A1 8/2007 Martin et al.  
 2007/0198030 A1 8/2007 Martin et al.  
 2007/0198051 A1 8/2007 Clubb et al.  
 2007/0225749 A1 9/2007 Martin et al.  
 2007/0233236 A1 10/2007 Pryor  
 2007/0265656 A1 11/2007 Amplatz et al.  
 2008/0109031 A1 5/2008 Sepetka et al.  
 2008/0183198 A1 7/2008 Sepetka et al.  
 2008/0188885 A1 8/2008 Sepetka et al.  
 2008/0262528 A1 10/2008 Martin  
 2008/0262532 A1 10/2008 Martin  
 2009/0069828 A1 3/2009 Martin et al.  
 2009/0105722 A1 4/2009 Fulkerson et al.  
 2009/0105737 A1 4/2009 Fulkerson et al.  
 2009/0125053 A1 5/2009 Ferrera et al.  
 2009/0192518 A1 7/2009 Leanna et al.  
 2009/0287291 A1 11/2009 Becking et al.  
 2009/0299393 A1 12/2009 Martin et al.  
 2010/0076452 A1 3/2010 Sepetka et al.  
 2010/0100106 A1 4/2010 Ferrera  
 2010/0174309 A1 7/2010 Fulkerson et al.  
 2010/0185210 A1 7/2010 Hauser et al.  
 2010/0217187 A1 8/2010 Ferrera et al.  
 2010/0256600 A1 10/2010 Ferrera  
 2010/0268264 A1 10/2010 Bonnette et al.  
 2010/0318097 A1 12/2010 Cragg et al.  
 2011/0015718 A1 1/2011 Schreck  
 2011/0160742 A1 6/2011 Ferrera et al.  
 2011/0160757 A1 6/2011 Ferrera et al.  
 2011/0160760 A1 6/2011 Ferrera et al.  
 2011/0160761 A1 6/2011 Ferrera et al.  
 2011/0160763 A1 6/2011 Ferrera et al.  
 2011/0166586 A1 7/2011 Sepetka et al.  
 2011/0288572 A1 11/2011 Martin  
 2011/0319917 A1 12/2011 Ferrera et al.  
 2012/0143230 A1 6/2012 Sepetka et al.  
 2012/0197285 A1 8/2012 Martin et al.  
 2013/0030461 A1 1/2013 Marks et al.  
 2013/0281788 A1 10/2013 Garrison  
 2013/0289589 A1 10/2013 Krolik et al.  
 2014/0005717 A1 1/2014 Martin et al.  
 2014/0276074 A1 9/2014 Warner  
 2014/0276403 A1 9/2014 Follmer et al.  
 2014/0277013 A1 9/2014 Sepetka et al.  
 2014/0309656 A1 10/2014 Gal et al.  
 2014/0343595 A1 11/2014 Monstadt et al.  
 2015/0359547 A1 12/2015 Vale et al.  
 2016/0015402 A1 1/2016 Brady et al.  
 2016/0015935 A1 1/2016 Chan et al.  
 2016/0106448 A1 4/2016 Brady et al.  
 2016/0106449 A1 4/2016 Brady et al.  
 2016/0113663 A1 4/2016 Brady et al.  
 2016/0113665 A1 4/2016 Brady et al.  
 2016/0151618 A1 6/2016 Powers et al.  
 2016/0157985 A1 6/2016 Vo et al.  
 2016/0199620 A1 7/2016 Pokomey et al.  
 2016/0296690 A1 10/2016 Kume et al.  
 2016/0302808 A1 10/2016 Loganathan et al.  
 2016/0354098 A1 12/2016 Martin et al.  
 2016/0375180 A1 12/2016 Anzai  
 2017/0079766 A1 3/2017 Wang et al.  
 2017/0079767 A1 3/2017 Leon-Yip  
 2017/0086862 A1 3/2017 Vale et al.  
 2017/0100143 A1 4/2017 Grandfield  
 2017/0105743 A1 4/2017 Vale et al.

2017/0164963 A1 6/2017 Goyal  
 2017/0215902 A1 8/2017 Leynov et al.  
 2017/0224953 A1 8/2017 Tran et al.  
 2017/0259042 A1 9/2017 Nguyen et al.  
 2017/0281909 A1 10/2017 Northrop et al.  
 2017/0290599 A1 10/2017 Youn et al.  
 2018/0049762 A1 2/2018 Seip et al.  
 2018/0084982 A1 3/2018 Yamashita et al.  
 2018/0116717 A1 5/2018 Taff et al.  
 2018/0132876 A1 5/2018 Zaidat  
 2018/0140314 A1 5/2018 Goyal et al.  
 2018/0140315 A1 5/2018 Bowman et al.  
 2018/0140354 A1 5/2018 Lam et al.  
 2018/0185614 A1 7/2018 Garrison et al.  
 2018/0325531 A1 11/2018 Skillrud et al.  
 2018/0325532 A1 11/2018 Skillrud et al.  
 2018/0325534 A1 11/2018 Skillrud et al.  
 2018/0325535 A1 11/2018 Skillrud et al.  
 2018/0368863 A1 12/2018 Skillrud et al.  
 2020/0015988 A1 1/2020 Bernard et al.

FOREIGN PATENT DOCUMENTS

DE 3501707 A1 7/1986  
 EP 0200668 A2 11/1986  
 EP 1312314 A1 5/2003  
 EP 2319575 B1 11/2013  
 JP 2002537943 A 11/2002  
 JP 2007522881 A 8/2007  
 JP 2007252951 A 10/2007  
 JP 2008539958 A 11/2008  
 JP 2011508635 A 3/2011  
 JP 2014004219 A 1/2014  
 JP 2018118132 A 8/2018  
 KR 20180102877 A 9/2018  
 WO 9409845 A1 5/1994  
 WO 9509586 A1 4/1995  
 WO 9601591 A1 1/1996  
 WO 9617634 A2 6/1996  
 WO 9619941 A1 7/1996  
 WO 9727808 A1 8/1997  
 WO 9727893 A1 8/1997  
 WO 9803120 A1 1/1998  
 WO 0053120 A1 9/2000  
 WO 0072909 A1 12/2000  
 WO 0132254 A1 5/2001  
 WO 0154622 A1 8/2001  
 WO 0167967 A1 9/2001  
 WO 0228291 A2 4/2002  
 WO 03000334 A1 1/2003  
 WO 03061730 A2 7/2003  
 WO 03089039 A1 10/2003  
 WO 2006031410 A2 3/2006  
 WO 2006122076 A1 11/2006  
 WO 2007092820 A2 8/2007  
 WO 2008036156 A1 3/2008  
 WO 2008131116 A1 10/2008  
 WO 2009034456 A2 3/2009  
 WO 2009086482 A1 7/2009  
 WO 2011091383 A1 7/2011  
 WO 2012009675 A2 1/2012  
 WO 2012162437 A1 11/2012  
 WO 2013106146 A1 7/2013  
 WO 2015141317 A1 9/2015  
 WO 2017192999 A1 11/2017  
 WO 2018019829 A1 2/2018  
 WO 2018033401 A1 2/2018  
 WO 2018046408 A2 3/2018  
 WO 2018137029 A1 8/2018  
 WO 2018137030 A1 8/2018  
 WO 2018145212 A1 8/2018  
 WO 2018156813 A1 8/2018  
 WO 2018172891 A1 9/2018  
 WO 2018187776 A1 10/2018

\* cited by examiner

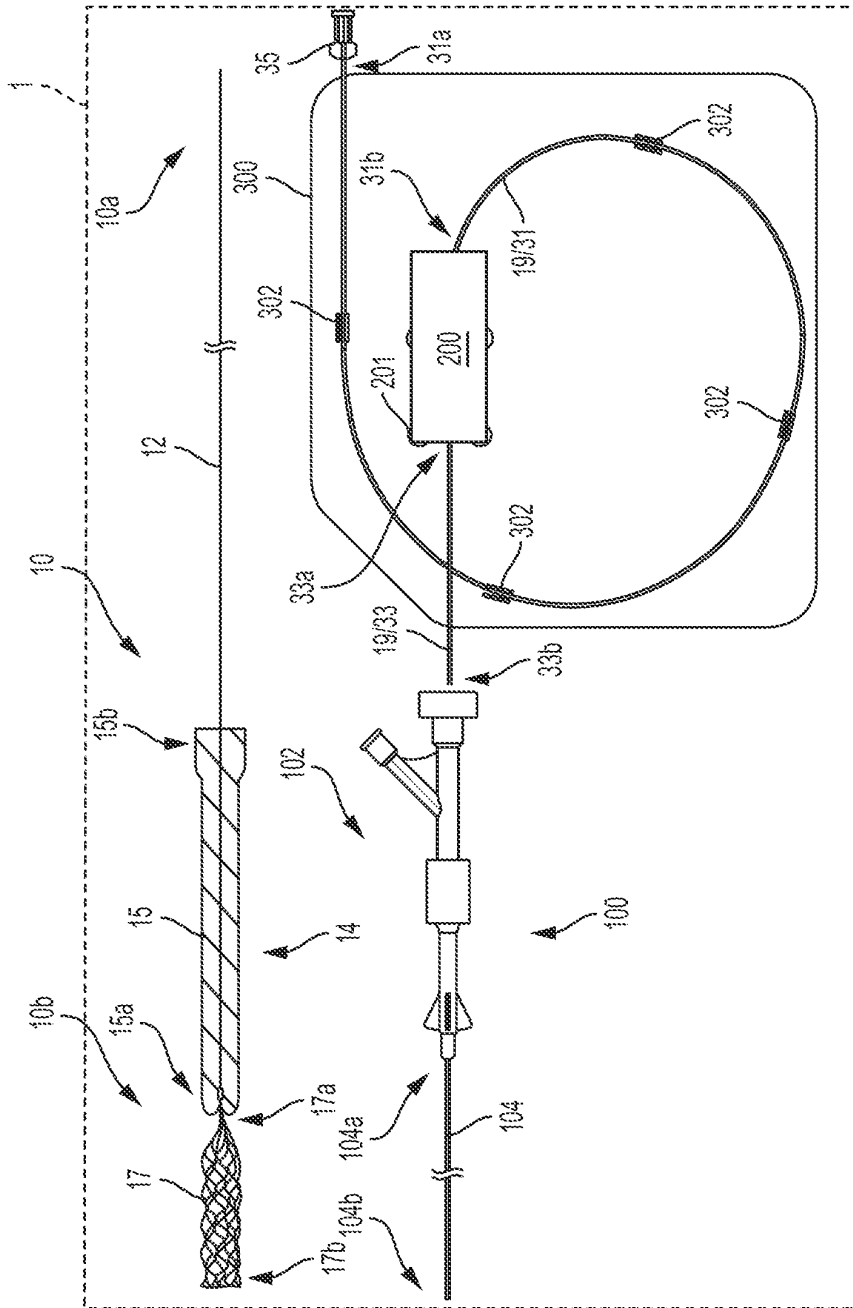


FIG. 1

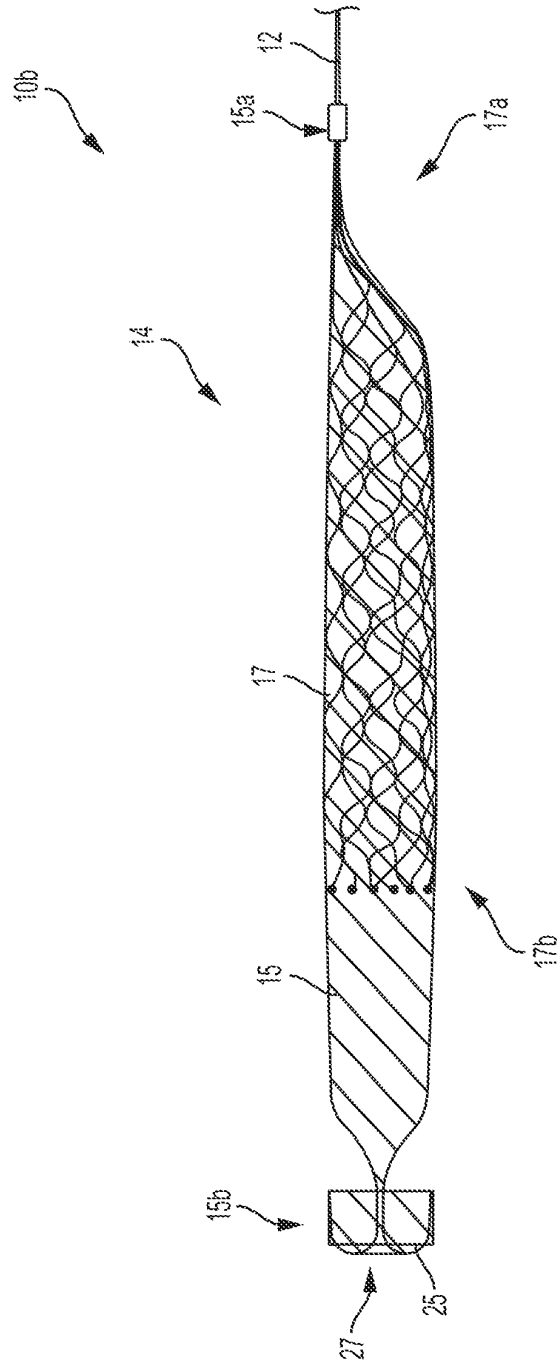


FIG. 2

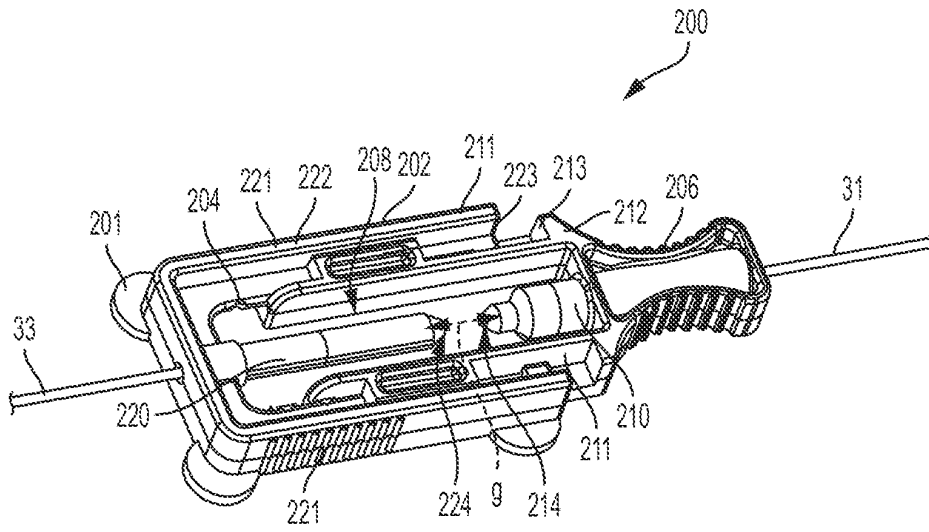


FIG. 3A

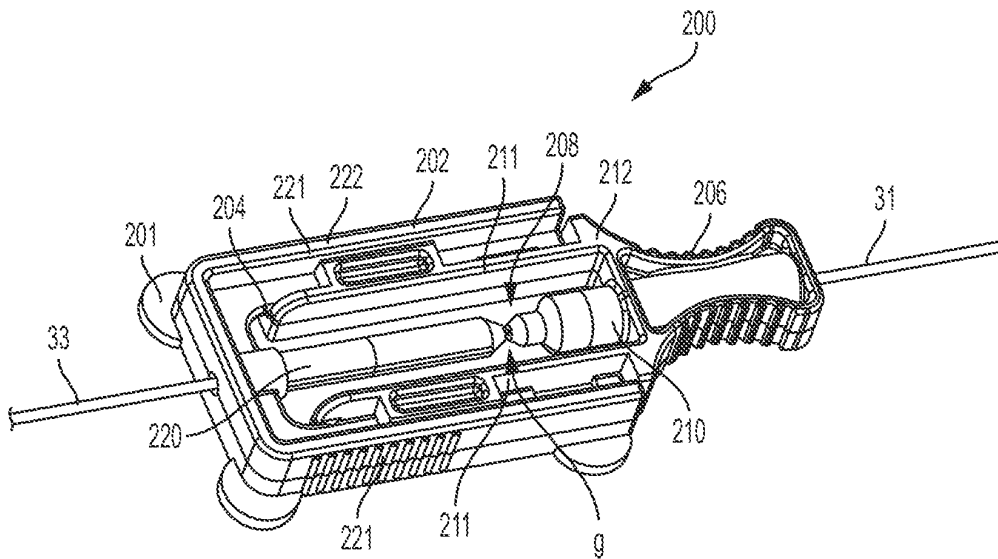


FIG. 3B

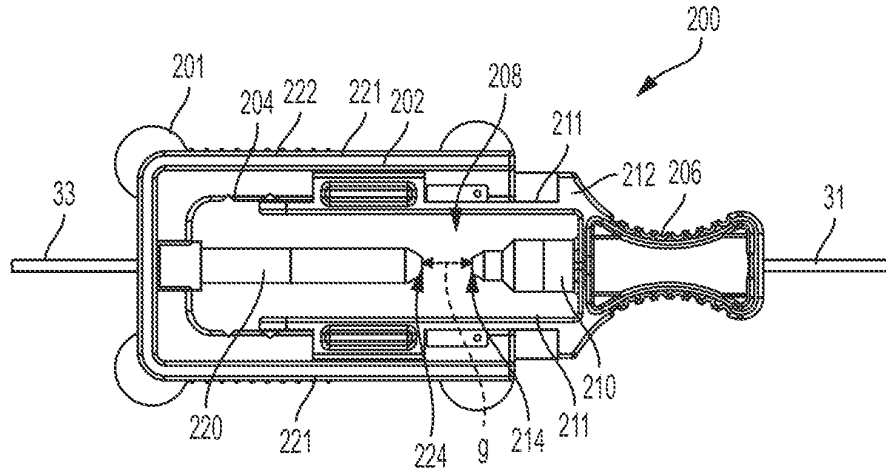


FIG. 3C

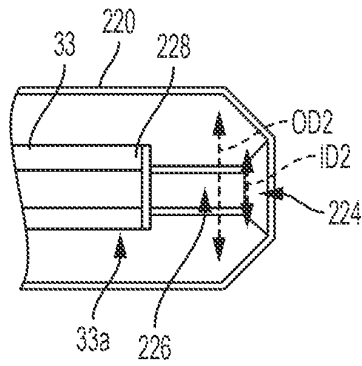


FIG. 3F

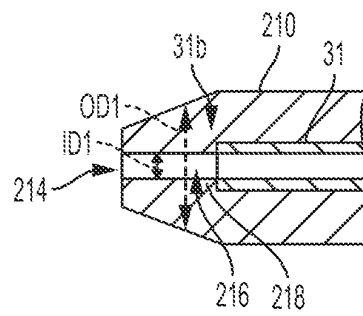


FIG. 3E

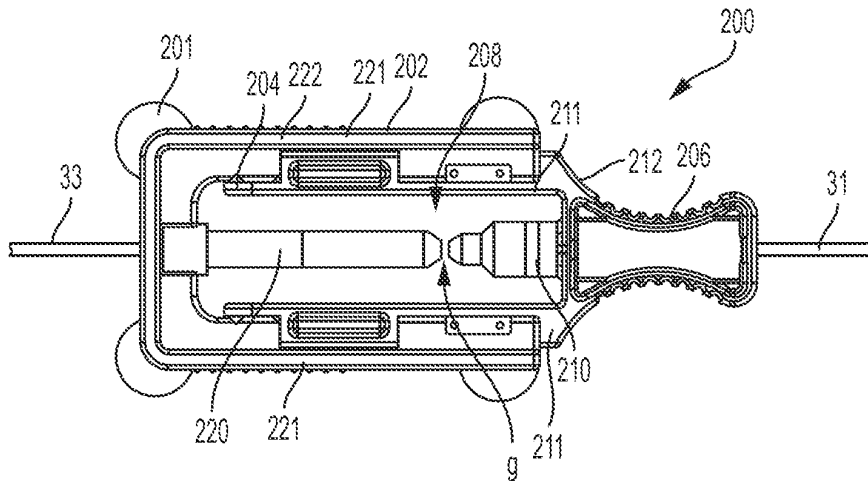


FIG. 3D



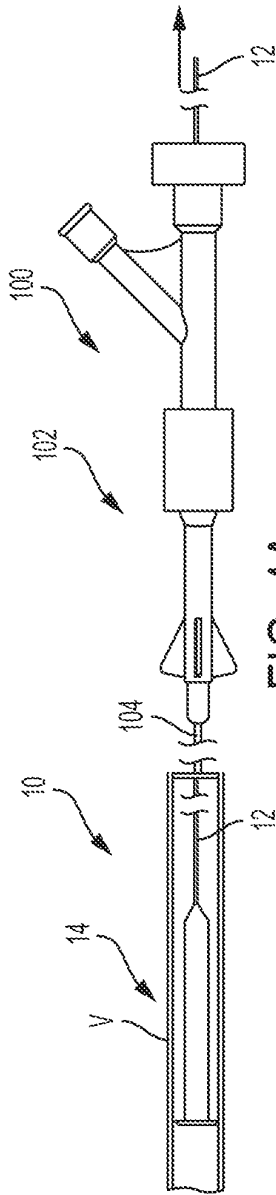


FIG. 4A

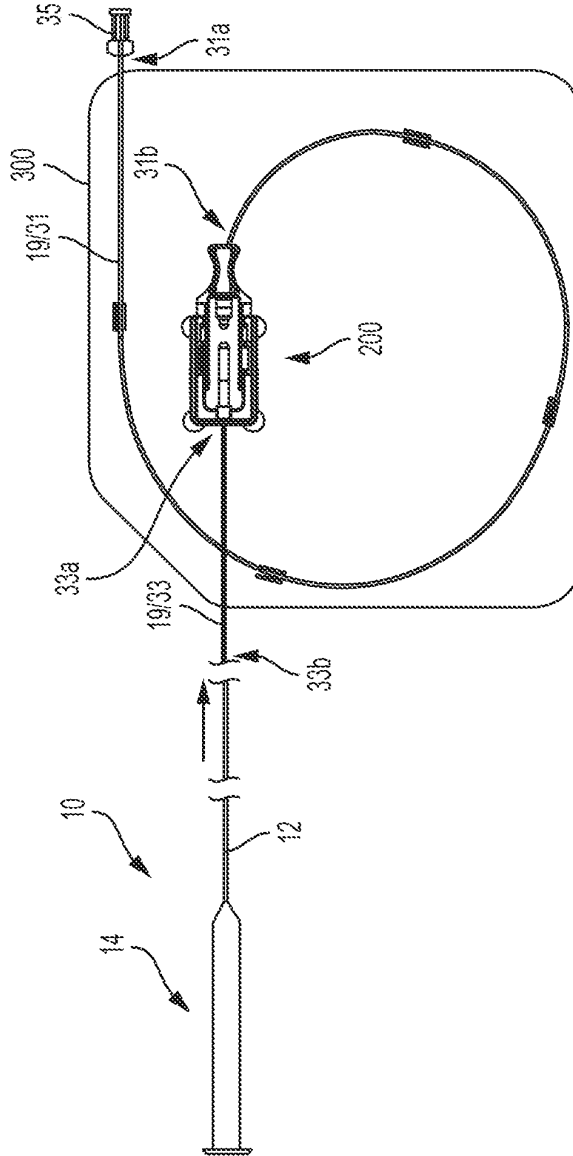


FIG. 4B

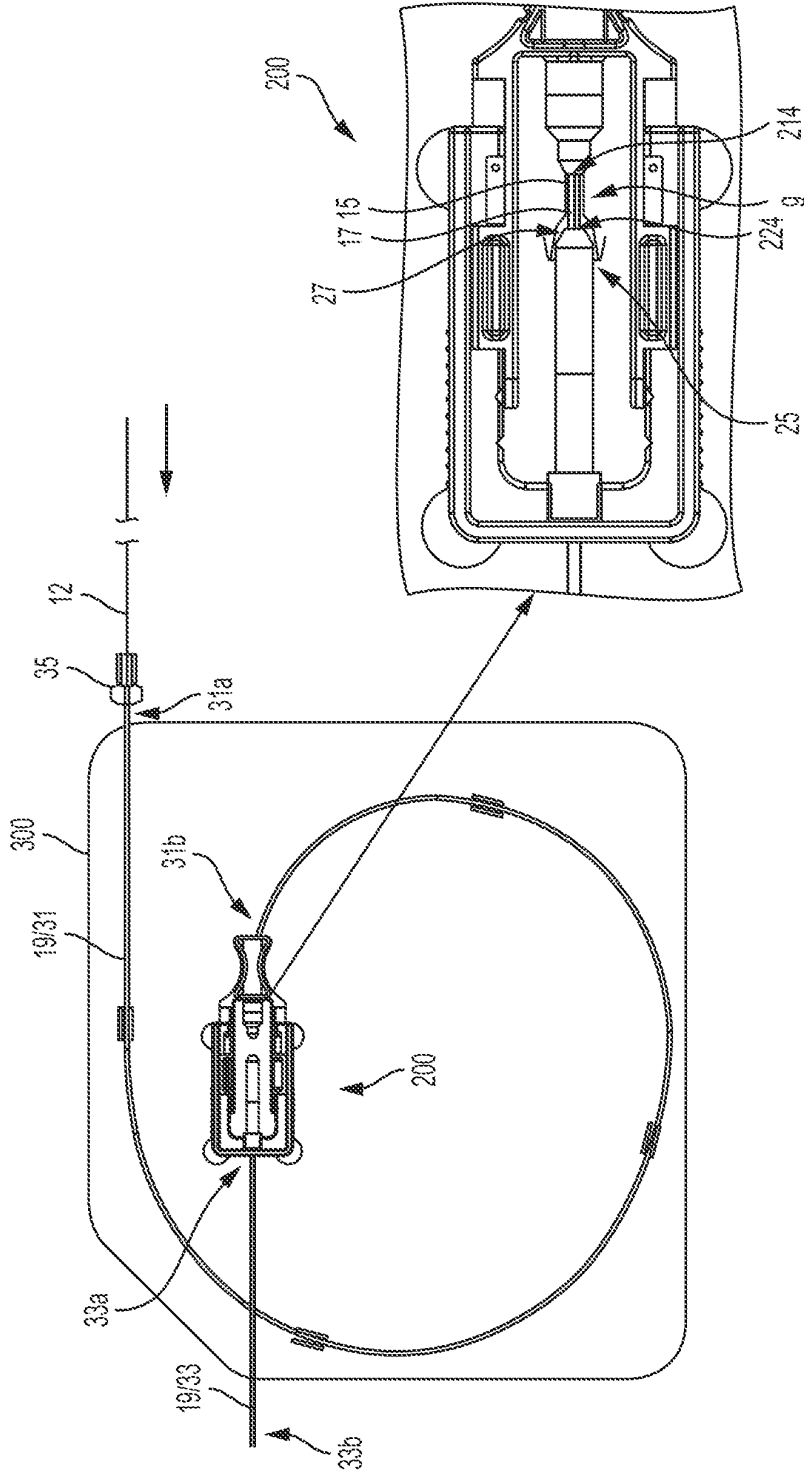


FIG. 4C

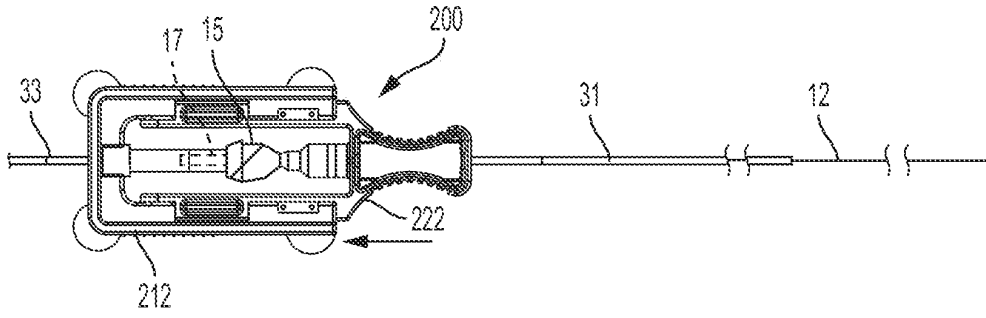


FIG. 4D

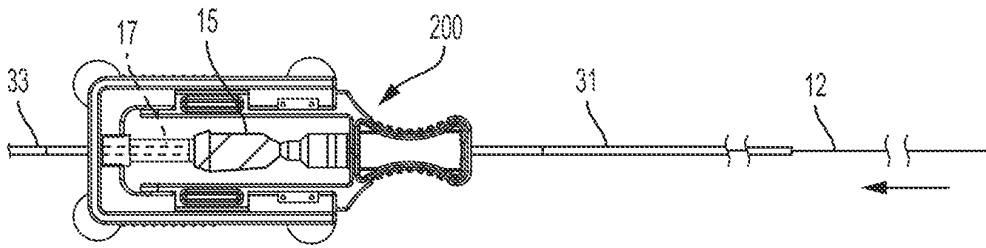


FIG. 4E

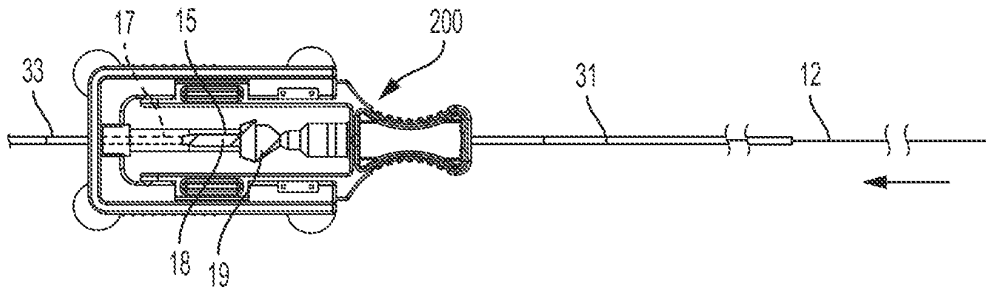


FIG. 4F

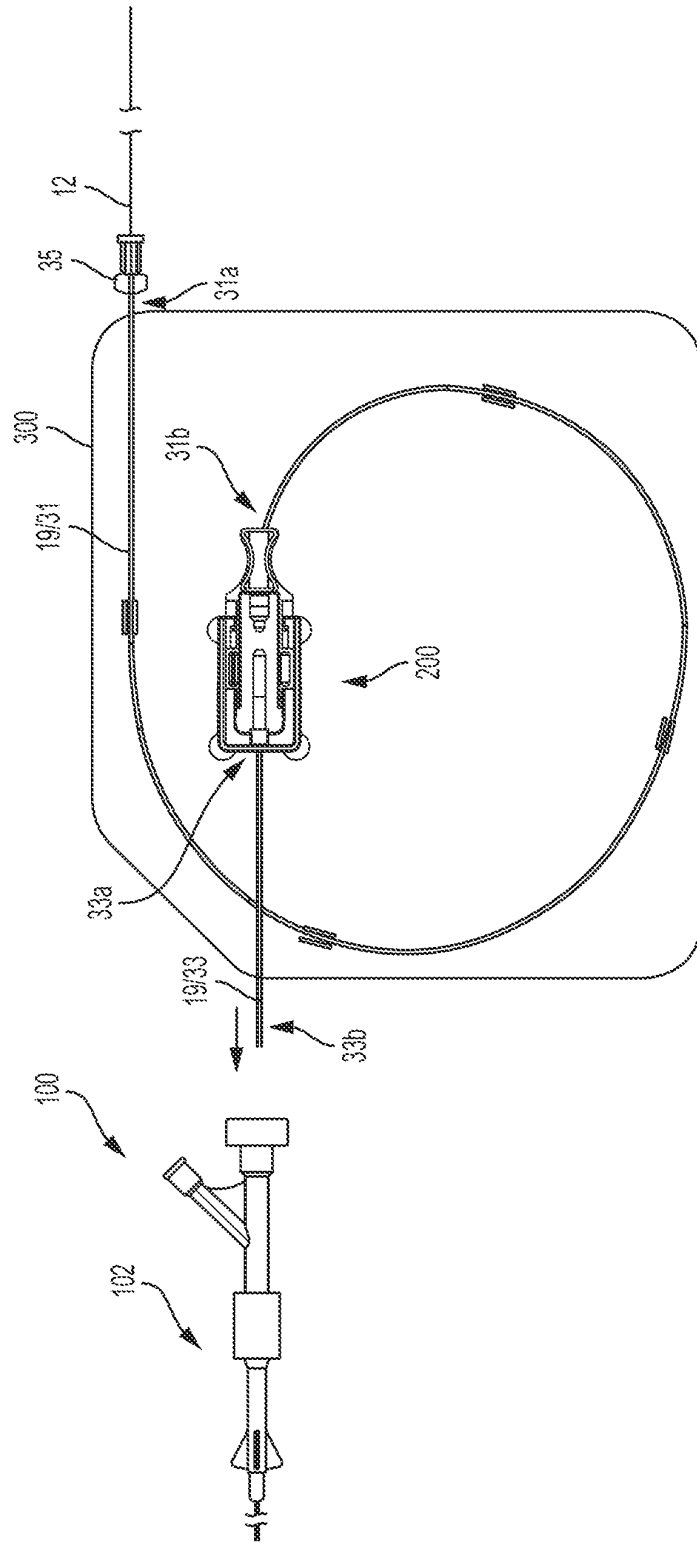


FIG. 4G

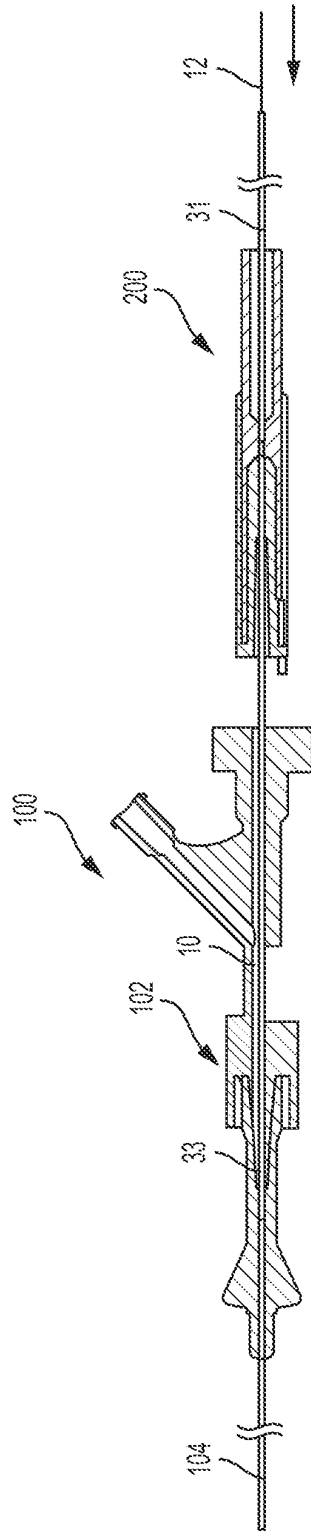


FIG. 4H

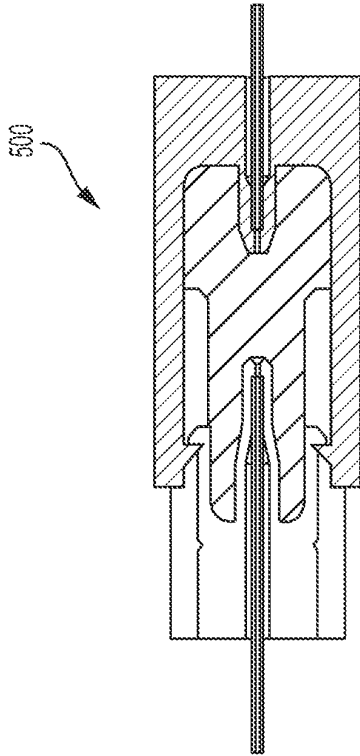


FIG. 5B

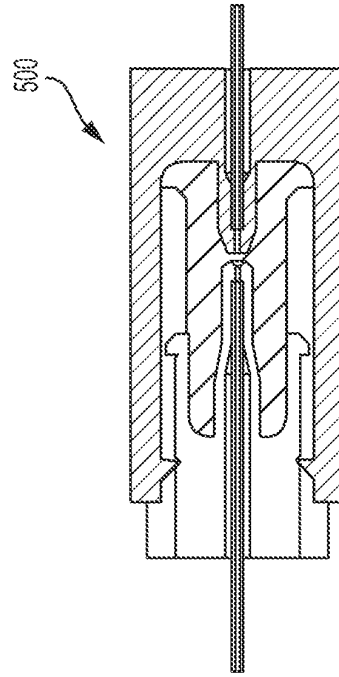


FIG. 5D

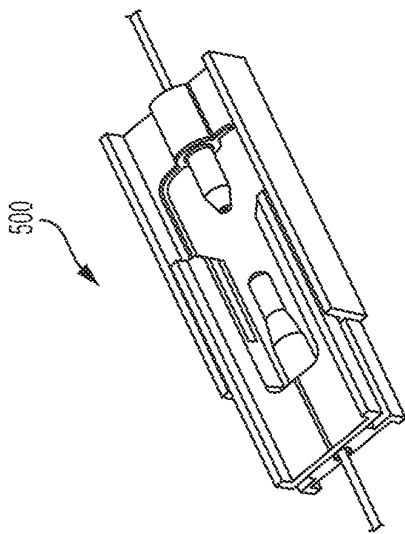


FIG. 5A

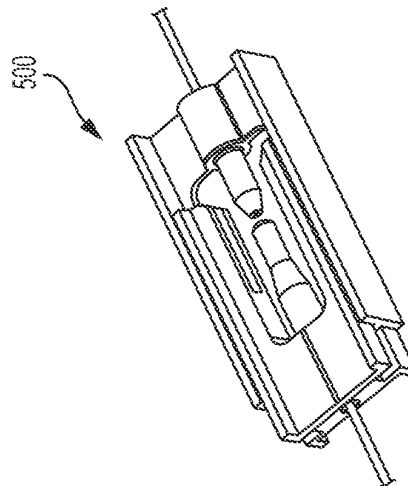


FIG. 5C

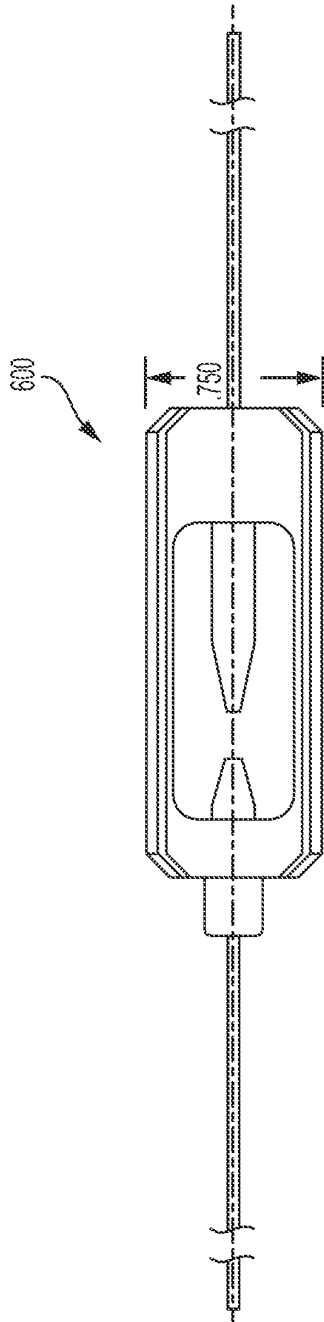


FIG. 6A

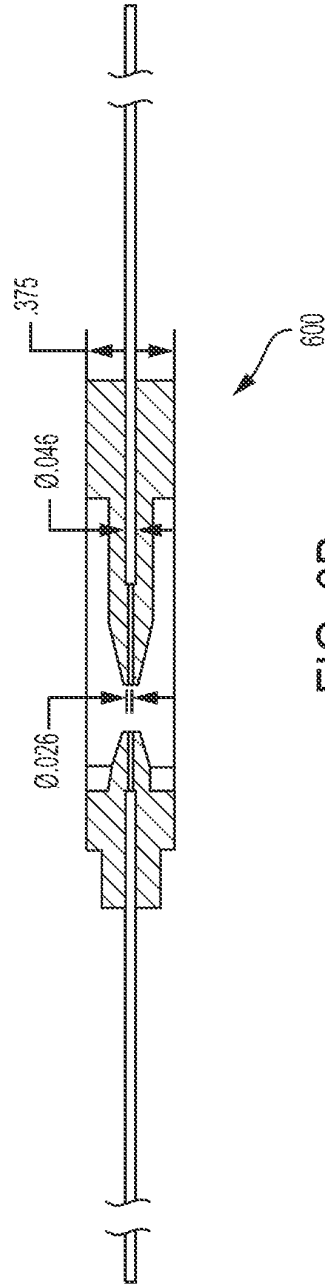


FIG. 6B

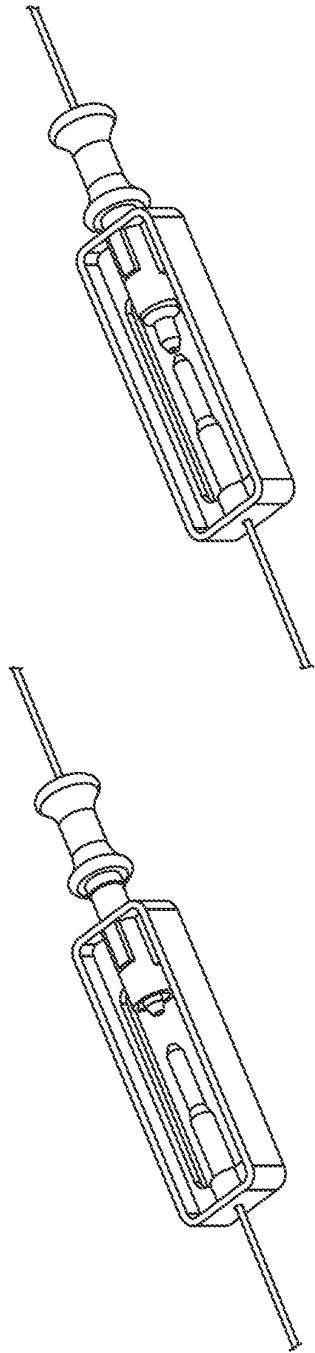


FIG. 7B

FIG. 7A

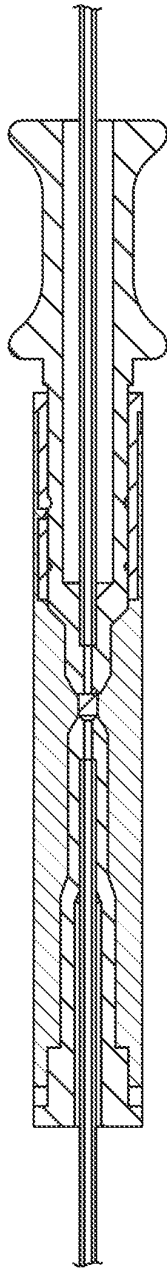


FIG. 7C

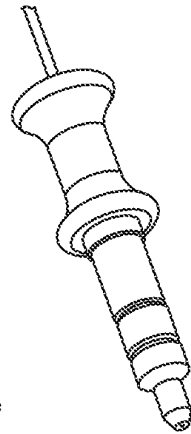


FIG. 7D



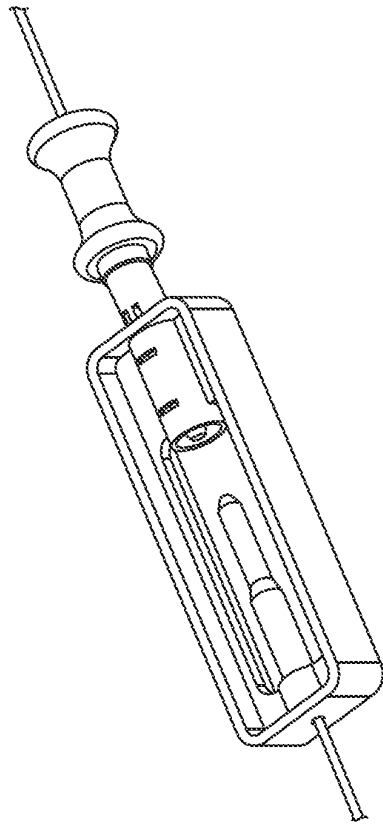


FIG. 8A

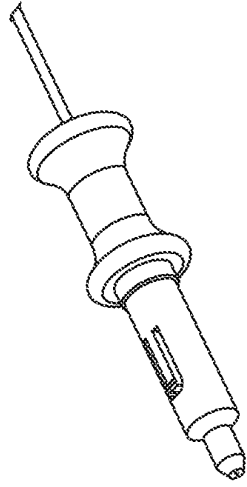


FIG. 8C

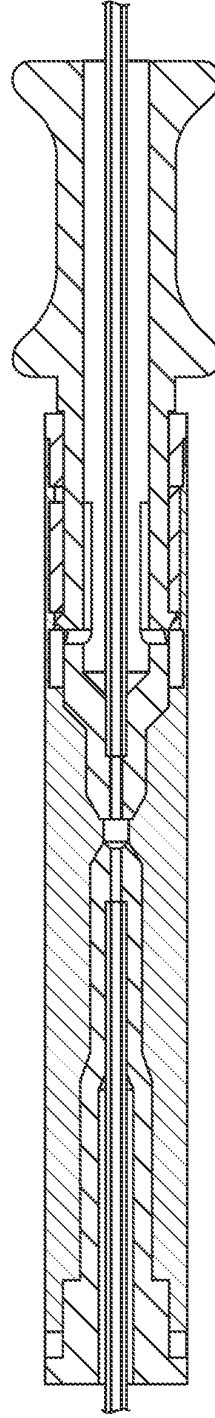


FIG. 8B

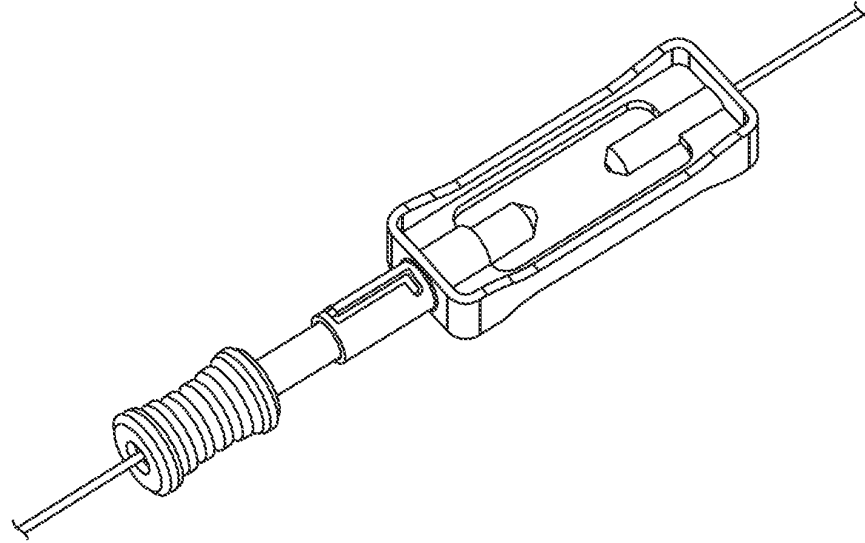


FIG. 9A

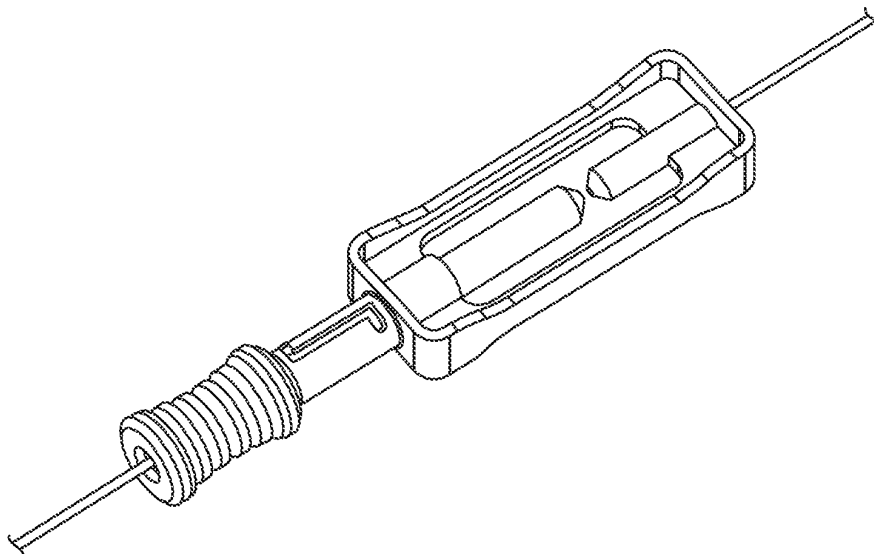


FIG. 9B

**TOOLS FOR SHEATHING TREATMENT  
DEVICES AND ASSOCIATED SYSTEMS AND  
METHODS**

CROSS-REFERENCE TO RELATED  
APPLICATION(S)

The present application is a divisional of U.S. application Ser. No. 16/007,961, filed Jun. 13, 2018, which claims the benefit of U.S. Patent Application No. 62/518,586, filed Jun. 12, 2017, each of which are incorporated herein by reference in their entirety.

TECHNICAL FIELD

The present technology relates generally to sheathing tools and associated systems and methods. Some embodiments of the present technology relate to devices for loading an intravascular treatment device into a sheath.

BACKGROUND

Many medical procedures use medical device(s) to remove an obstruction (such as clot material) from a body lumen, vessel, or other organ. An inherent risk in such procedures is that mobilizing or otherwise disturbing the obstruction can potentially create further harm if the obstruction or a fragment thereof dislodges from the retrieval device. If all or a portion of the obstruction breaks free from the device and flows downstream, it is highly likely that the free material will become trapped in smaller and more tortuous anatomy. In many cases, the physician will no longer be able to use the same retrieval device to again remove the obstruction because the device may be too large and/or immobile to move the device to the site of the new obstruction.

Even in successful procedures, a physician must be cautious to prevent the walls of the vessel or body lumen from imparting undesired forces to shear or dislodge the obstruction as it passes through the vasculature during removal. These forces have the potential of fragmenting the obstruction. In some cases, the obstruction can simply break free from the retrieval device and can lodge in a new area causing more concern than the original blockage.

Procedures for treating ischemic stroke by restoring flow within the cerebral vasculature are subject to the above concerns. The brain relies on its arteries and veins to supply oxygenated blood from the heart and lungs and to remove carbon dioxide and cellular waste from brain tissue. Blockages that interfere with this blood supply eventually cause the brain tissue to stop functioning. If the disruption in blood occurs for a sufficient amount of time, the continued lack of nutrients and oxygen causes irreversible cell death (infarction). Accordingly, it is desirable to provide immediate medical treatment of an ischemic stroke. To access the cerebral vasculature, a physician typically advances a catheter from a remote part of the body (typically a leg) through the abdominal vasculature and into the cerebral region of the vasculature. Once within the cerebral vasculature, the physician deploys a device for retrieval of the obstruction causing the blockage. Concerns about dislodged obstructions or the migration of dislodged fragments increases the duration of the procedure at time when restoration of blood flow is paramount. Furthermore, a physician might be unaware of one or more fragments that dislodge from the initial obstruction and cause blockage of smaller more distal vessels.

Many physicians currently perform thrombectomies (i.e. clot removal) with stents to resolve ischemic stroke. Typically, the physician deploys a stent into the clot in an attempt to push the clot to the side of the vessel and re-establish blood flow. Tissue plasminogen activator (“tPA”) is often injected into the bloodstream through an intravenous line to break down a clot. However, it takes for the tPA to reach the clot because the tPA must travel through the vasculature and only begins to break up the clot once it reaches the clot material. tPA is also often administered to supplement the effectiveness of the stent. Yet, if attempts at clot dissolution are ineffective or incomplete, the physician can attempt to remove the stent while it is expanded against or enmeshed within the clot. In doing so, the physician must effectively drag the clot through the vasculature, in a proximal direction, into a guide catheter located within vessels in the patient’s neck (typically the carotid artery). While this procedure has been shown to be effective in the clinic and easy for the physician to perform, there remain some distinct disadvantages using this approach.

For example, one disadvantage is that the stent may not sufficiently retain the clot as it pulls the clot to the catheter. In such a case, some or all of the clot might remain the vasculature. Another risk is that as the stent mobilizes the clot from the original blockage site, the clot might not adhere to the stent as the stent is withdrawn toward the catheter. This is a particular risk when passing through bifurcations and tortuous anatomy. Furthermore, blood flow can carry the clot (or fragments of the clot) into a branching vessel at a bifurcation. If the clot is successfully brought to the end of the guide catheter in the carotid artery, yet another risk is that the clot may be “stripped” or “sheared” from the stent as the stent enters the guide catheter. Regardless, simply dragging an expanded stent (either fully or partially expanded) can result in undesired trauma to the vessel. In most cases, since the stent is oversized compared to the vessel, dragging a fixed metallic (or other) structure can pull the arteries and/or strip the cellular lining from the vessel, causing further trauma such as a hemorrhagic stroke (leakage of blood from a cerebral vessel). Also, the stent can become lodged on plaque on the vessel walls resulting in further vascular damage.

In view of the above, there remains a need for improved devices and methods that can remove occlusions from body lumens and/or vessels.

SUMMARY

At least some of the embodiments disclosed herein are devices, systems, and methods for facilitating a user in positioning an expandable, intravascular treatment device within a lumen of a catheter and/or sheath. For example, certain medical procedures may require multiple passes of the same treatment device in order to effectively treat the patient. Between passes, the treatment device is often completely removed from the catheter and/or patient and must be re-loaded into the catheter for the next pass. For instance, removing clot material from a blood vessel of a patient may include advancing a clot retrieving device to a treatment site within the blood vessel lumen, capturing at least a portion of the clot material with the clot retrieving device, removing the clot material and clot retrieving device from the patient, then repeating the foregoing process until a sufficient amount of clot material is removed.

Some embodiments of the present technology include a device for sheathing (and/or re-sheathing) a treatment device, such as a clot retrieving device. In some embodi-

ments, the device includes a first channel and a second channel, each of which are configured to receive the treatment device in a constrained state therethrough. In some embodiments, the first channel may extend to a first opening and the second channel may extend to a second opening that is surrounded by a sidewall. The second opening may be spaced apart from the first opening by a gap, and the length of the gap may be great enough to allow a first portion of the treatment device to self-expand over the sidewall while a second portion of the treatment device generally maintains its diameter in the constrained state while crossing the gap.

The subject technology is illustrated, for example, according to various aspects described below. Various examples of aspects of the subject technology are described as numbered clauses (1, 2, 3, etc.) for convenience. These are provided as examples and do not limit the subject technology. It is noted that any of the dependent clauses may be combined in any combination, and placed into a respective independent clause, e.g., clause (1, 16, 20, 23, etc.). The other clauses can be presented in a similar manner.

1. A device for sheathing a treatment device having an elongated member and a first element and a second element at a distal region of the elongated member, wherein the device comprises:
  - a first channel extending to a first opening, the first channel configured to receive the treatment device in a constrained state therethrough; and
  - a second channel extending to a second opening, the second opening surrounded by a sidewall and configured to receive the treatment device in the constrained state therethrough, wherein the second opening is spaced apart from the first opening by a gap, and wherein a length of the gap is great enough to allow the first element to self-expand over the sidewall while the second element generally maintains its diameter in the constrained state while crossing the gap.
2. The device of Clause 1, wherein an inner diameter of the second channel tapers distally from the second opening.
3. The device of Clause 1 or Clause 2, wherein an outer diameter of the sidewall increases distally from the second opening.
4. The device of any one of Clauses 1-3, wherein the first and second openings are fixed relative to one another such that the length of the gap is fixed.
5. The device of any one of Clauses 1-4, wherein the first and second openings are movable relative to one another such that the length of the gap is adjustable.
6. The device of any one of Clauses 1-5, wherein the first channel is within a first housing and the second channel is within a second housing movable relative to the first housing, and wherein the first housing has a detent configured to receive a protrusion of the second housing, or vice versa, such that the first housing is locked in place relative to the second housing.
7. The device of any one of Clauses 1-6, wherein the first channel is configured to receive a sheath therethrough, wherein the sheath is configured to slidably receive the treatment device therein in the constrained state.
8. The device of any one of Clauses 1-7, wherein the second channel is configured to receive a sheath therethrough, and wherein the sheath is configured to slidably receive the treatment device therein in the constrained state.
9. The device of any one of Clauses 1-8, wherein the first element is a self-expanding element.

10. The device of any one of Clauses 1-9, wherein the second element is a self-expanding element.
11. The device of any one of Clauses 1-10, wherein the first element is a mesh.
12. The device of any one of Clauses 1-11, wherein the second element is a stent.
13. The device of any one of Clauses 1-12, wherein, in an expanded state, the first element has a flared distal region with a lumen therethrough, and wherein the lumen of the flared distal region is configured to receive the sidewall therein as the treatment device is moved through the across the gap.
14. The device of any one of Clauses 1-13, wherein the treatment device is a clot retrieving device.
15. The device of any one of Clauses 1-14, wherein the device is configured to be detachably coupled to a handle of a catheter, thereby placing the second channel in fluid communication with a lumen of the catheter.
16. A system for sheathing a treatment device having an elongated member and a first element and a second element at a distal region of the elongated member, wherein the device comprises:
  - a sheath configured to receive the treatment device in a constrained state therethrough;
  - a first channel extending to a first opening and configured to receive at least a portion of the sheath; and
  - a second channel extending to a second opening, the second opening surrounded by a sidewall and configured to receive the treatment device in the constrained state therethrough, wherein the second opening is spaced apart from the first opening by a gap, and wherein a length of the gap is great enough to allow the first element to self-expand over the sidewall while the second element generally maintains its diameter in the constrained state while crossing the gap.
17. The system of Clause 16, further comprising a fluid port coupled to a proximal end portion of the sheath.
18. The system of Clause 16 or Clause 17, wherein the sheath is a first sheath and the system further comprises a second sheath configured to receive the treatment device in a constrained state therethrough, and wherein the second channel is configured to receive at least a portion of the second sheath therein.
19. The system of Clause 18, further comprising a catheter, and wherein the second sheath is configured to be coupled to the catheter.
20. A system for sheathing a treatment device having an elongated member and a first element and a second element at a distal region of the elongated member, wherein the device comprises:
  - a sheath configured to receive the treatment device in a constrained state therethrough;
  - a sheathing tool comprising:
    - a first channel extending to a first opening and configured to receive at least a portion of the sheath, and
    - a second channel extending to a second opening, the second opening surrounded by a sidewall and configured to receive the treatment device in the constrained state therethrough, wherein the second opening is spaced apart from the first opening by a gap, and wherein a length of the gap is great enough to allow the first element to self-expand over the sidewall while the second element generally maintains its diameter in the constrained state while crossing the gap;

5

- a housing configured to be detachably coupled to the sheath and the sheathing tool, wherein a majority of the length of the sheath is contained within a perimeter of the housing such that a user may position and/or manipulate both ends of the sheath and/or treatment device without taking a step.
21. The system of Clause 20, wherein the sheath is a first sheath and the system further comprises a second sheath configured to receive the treatment device in a constrained state therethrough, and wherein the second channel is configured to receive at least a portion of the second sheath therein.
22. The system of Clause 21, further comprising a catheter, and wherein the second sheath is configured to be coupled to the catheter.
23. A method for sheathing a treatment device having an elongated member and a first element and a second element at a distal region of the elongated member, the method comprising:  
 positioning the treatment device in a first channel with the first and second elements in a constrained state; moving the treatment device from a first opening of the first channel through a second opening of a second channel spaced apart from the first opening by a gap; and  
 while moving the treatment device across the gap, generally maintaining a cross-sectional dimension of the first element at its cross-sectional dimension in the constrained state while allowing the second element to expand over a sidewall surrounding the second opening.
24. The method of Clause 23, further comprising moving a portion of the second element in a first direction through the second channel while moving a second portion of the second element in a second direction opposite the first direction outside of the channel.
25. The method of Clause 23 or Clause 24, further comprising moving the treatment device along the first channel in a first direction, and wherein moving the treatment device from the first opening and through the second opening is in a second direction opposite the first direction.
26. The method of any one of Clauses 23-25, wherein moving the treatment device from the first opening and through the second opening in the second direction occurs after moving the treatment device along the first channel in the first direction.
27. The method of any one of Clauses 23-26, further comprising moving the treatment device along the second channel in a first direction, and wherein moving the treatment device from the first opening and through the second opening is in a second direction opposite the first direction.
28. The method of Clause 27, wherein moving the treatment device from the first opening and through the second opening in the second direction occurs after moving the treatment device along the second channel in the first direction.
29. The method of any one of Clauses 23-28, wherein the constrained state is a first constrained state and the treatment device is movable to a second constrained state in which the second element is inverted relative to its position when the treatment device is in a first constrained state.

6

30. The method of Clause 29, further comprising inverting the second element by moving the first element through the second channel while the second element surrounds the sidewall.
31. The method of Clause 29 or Clause 30, further comprising moving the treatment device in the second constrained state through the second channel.
32. The method of any one of Clauses 29-31, further comprising moving the treatment device in the second constrained state through the second channel and into a catheter.
33. The method of any one of Clauses 23-32, further comprising decreasing a length of the gap before moving the treatment device through the first opening.
34. The method of any one of Clauses 23-33, further comprising decreasing a length of the gap after moving the treatment device across a portion of the gap.
35. The method of any one of Clauses 23-34, further comprising removing the treatment device from a catheter before positioning the first and second elements in the first channel.
36. The method of Clause 35, further comprising removing clot material from the treatment device before positioning the first and second elements in the first channel.
37. The method of Clause 36, wherein removing clot material includes rinsing clot material from the treatment device.
38. The method of Clause 35, further comprising removing clot material from the treatment device while at least a portion of the elongated member is positioned within the first channel but before positioning the first and second elements in the first channel.
39. The method of Clause 38, wherein removing clot material includes rinsing clot material from the treatment device.
40. A device for transferring an intravascular treatment device from a first sheath to a second sheath, the treatment device including first and second self-expanding elements, wherein each of the first and second sheaths is sized such that the treatment device is constrained in a compressed state when positioned within each of the first and second sheaths, and wherein the device comprises:  
 a first channel configured to receive at least a portion of the first sheath therein, the first channel having a first proximal opening configured to receive the first sheath therethrough and a first distal opening; and  
 a second channel configured to receive at least a portion of the second sheath therein, the second channel having a second proximal opening and a second distal opening configured to receive the second sheath therethrough,  
 wherein the device is configured to securely position the first and second channels relative to one another such that the first distal opening is aligned with the second proximal opening and spaced apart from the second proximal opening by a gap, the gap having a length such that, when the first and second sheaths are positioned within the first and second channels, respectively, and the treatment device is moved from the first sheath to the second sheath across the gap, a distal region of the first element expands from the compressed state within the gap while the second element generally maintains its diameter in the compressed state while crossing the gap.

41. The device of Clause 40, wherein the second channel is surrounded by a sidewall having an outer diameter, and wherein the distal region of the first element expands over the outer diameter of the sidewall as it crosses the gap.
42. The device of Clause 40 or Clause 41, wherein an inner diameter of the second channel tapers distally from the second proximal opening.
43. The device of any one of Clauses 40-42, wherein the second channel is surrounded by a sidewall having an outer diameter that increases distally from the second proximal opening.
44. The device of any one of Clauses 40-43, wherein the first and second channels are fixed relative to one another.
45. The device of any one of Clauses 40-44, wherein the first and second channels are movable relative to one another.
46. The device of any one of Clauses 40-45, wherein the length is a first length, and wherein the device is configured to securely position the first and second channels relative to one another such that the gap has a second length greater than the first length.
47. A sheathing tool, comprising:  
 a support;  
 a loading member coupled to the support and having a first distal opening, a first proximal opening, and a first channel extending therebetween, wherein the first proximal opening is configured to receive a first sheath therethrough; and  
 a receiving member coupled to the support and having a second distal opening, a second proximal opening, and a second channel extending therebetween, wherein the second distal opening is configured to receive a second sheath therethrough,  
 wherein the support is configured to securely position the loading member and the receiving member relative to one another such that the first distal opening is aligned with the second proximal opening and spaced apart from the second proximal opening by a gap, the gap having a length such that, when the first and second sheaths are positioned within the first and second channels, respectively, and a self-expanding treatment device is moved in a compressed state from a lumen of the first sheath to a lumen of the second sheath across the gap, a distal portion of the treatment device maintains its diameter in the compressed state between the first distal opening and the second proximal opening.

Additional features and advantages of the subject technology are described below, and in part will be apparent from the description, or may be learned by practice of the subject technology. The advantages of the subject technology will be realized and attained by the structure particularly pointed out in the written description and claims hereof as well as the appended drawings.

#### BRIEF DESCRIPTION OF THE DRAWINGS

Many aspects of the present technology can be better understood with reference to the following drawings. The components in the drawings are not necessarily to scale. Instead, emphasis is placed on illustrating clearly the principles of the present disclosure.

FIG. 1 is a schematic overview of a treatment system configured in accordance with the present technology.

FIG. 2 is a side view of a distal portion of the treatment device shown in FIG. 1 in a second position in accordance with embodiments of the present technology.

FIG. 3A is an isometric view of a sheathing tool in a first position configured in accordance with the present technology.

FIG. 3B is an isometric view of the sheathing tool of FIG. 3A in a second position configured in accordance with the present technology.

FIG. 3C is a top view of the sheathing tool in the first position, as shown in FIG. 3A.

FIG. 3D is a top view of the sheathing tool in the second position, as shown in FIG. 3B.

FIG. 3E is an enlarged, isolated, cross-sectional view of the first channel shown in FIGS. 3A-3D.

FIG. 3F is an enlarged, isolated view, cross-sectional view of the second channel shown in FIGS. 3A-3D.

FIGS. 4A-4H illustrate a method of using a sheathing tool to sheath a treatment device.

FIGS. 5A and 5B are an isometric view and a top cross-sectional view, respectively, of a sheathing tool shown in a first position configured in accordance with some embodiments of the present technology.

FIGS. 5C and 5D are an isometric view and a top cross-sectional view, respectively, of the sheathing tool shown in FIGS. 5A and 5B in a second position configured in accordance with some embodiments of the present technology.

FIGS. 6A and 6B are a top view and a side cross-sectional view, respectively, of a sheathing tool shown in a first position configured in accordance with some embodiments of the present technology.

FIG. 7A is an isometric view of a sheathing tool in a first position configured in accordance with the present technology.

FIG. 7B is an isometric view of the sheathing tool of FIG. 7A in a second position configured in accordance with the present technology.

FIG. 7C is a side cross-sectional view of the sheathing tool as shown in FIG. 7B.

FIG. 7D is an isometric view of the connector of the sheathing tool shown in FIGS. 7A-7C.

FIG. 8A is an isometric view of a sheathing tool in a first position configured in accordance with the present technology.

FIG. 8B is a side cross-sectional view of the sheathing tool of FIG. 8A in a second position configured in accordance with the present technology.

FIG. 8C is an isometric view of the connector of the sheathing tool shown in FIGS. 8A and 8B.

FIG. 9A is an isometric view of a sheathing tool in a first position configured in accordance with the present technology.

FIG. 9B is an isometric view of the sheathing tool of FIG. 9A in a second position configured in accordance with the present technology.

#### DETAILED DESCRIPTION

The present technology provides devices, systems, and methods for sheathing and/or re-sheathing an intravascularly deliverable treatment device. Although many of the embodiments are described below with respect to devices, systems, and methods for removing clot material/treating embolism (such as a cerebral embolism), the sheathing tools of the present technology may be used to re-sheath any intravascularly deliverable, expandable treatment device. Other

applications and other embodiments in addition to those described herein are within the scope of the technology. For example, the sheathing tools of the present technology may be used with devices for removing emboli from body lumens other than blood vessels (e.g., the digestive tract, etc.) and/or may be used to remove emboli from blood vessels outside of the brain (e.g., pulmonary blood vessels, blood vessels within the legs, etc.). In addition, the sheathing tools of the present technology may be used with devices for removing luminal obstructions other than clot material (e.g., plaque, resected tissue, etc.).

## 1. System Overview

FIG. 1 is a schematic representation of a system 1 (“system 1”) configured in accordance with the present technology. As shown in FIG. 1, the system 1 may include a treatment device 10 (shown in an expanded, unconstrained state), a catheter 100 (e.g., a microcatheter), a sheathing tool 200 (shown schematically), a support 300, and a sheath 19 for facilitating introduction of the treatment device 10 to the catheter 100 and/or sheathing tool 200. The catheter 100 may include a handle 102 and an elongated shaft 104 having a proximal portion 104a coupled to the handle 102 and a distal portion 104b configured to be positioned at a treatment site within a blood vessel lumen (e.g., a cerebral blood vessel lumen). The elongated shaft 104 is configured to slidably receive the treatment device 10 in a low-profile, constrained state (not shown) therethrough.

The sheath 19 may be configured to be detachably coupled to the catheter 100, the sheathing tool 200, and/or the support 300 and is configured to slidably receive the treatment device 10 in a low-profile, constrained state (not shown) therethrough. In some embodiments, such as the embodiment shown in FIG. 1, the sheath 19 may include a first segment 31 and a second segment 33. The first segment 31 may have a proximal portion 31a and a distal portion 31b configured to be detachably coupled to the sheathing tool 200, and the second segment 33 may have a proximal portion 33a configured to be detachably coupled to the sheathing tool 200 and a distal portion 33b configured to be detachably coupled to the handle 108 of the catheter 100, thereby creating a pathway between the lumen of the second segment and the lumen of the elongated shaft 104.

As shown in FIG. 1, the sheathing tool 200 and/or one or more portions of the sheath 19 may be configured to be detachably or permanently coupled to the support 300. For example, to secure the sheathing tool 200 and/or the sheath 19 to the support 300, the support 300 may include one or more tabs, slots, protrusions or other means 302 for engaging the sheath 19 and/or the sheathing tool 200 and/or one or more corresponding tabs, protrusions, slots, etc. on the sheath 19 and/or the sheathing tool 200. In some embodiments, the system 1 may be packaged with one or both of the sheathing tool 200 and the sheath 31 detachably or permanently mounted on the support 300.

In some embodiments, the treatment device 10 includes an elongated member 12 and a treatment assembly 14 coupled to a distal region of the elongated member 12. The treatment assembly 14 may be configured to be intravascularly positioned at or adjacent clot material within a blood vessel lumen and includes a first element 17 and a second element 15. In some embodiments, the first element 17 may be a self-expanding stent 17 (e.g., a laser-cut stent) and the second element 15 may be a self-expanding mesh (e.g., a

braid, a weave, a lattice structure, a fabric, etc.). In some embodiments, the first and second elements 17, 15 may have other suitable configurations.

The first element 17 may have a proximal portion 17a coupled to the elongated member 12 and a distal portion 17b, and the second element 15 may have a free end portion 15b and a fixed end portion 15a coupled to the elongated member 12. The second element 15 may be flexible such that it is movable between a first position (FIG. 1) in which its free end portion 15b is proximal of its fixed end portion 15a, and a second position (see FIG. 2) in which the second element 15 is inverted over the first element 17 such that a distal terminus of the second element 15 is at or distal to the distal terminus of the first element 17. As shown in FIG. 2, when the second element 15 is in the second position, the free end portion 15b is distal of the fixed end portion 15a and distal of the distal terminus of the first element 17. In the second position, the second element 15 may have a flared distal region 25 that surround a lumen 27 therethrough.

Examples of suitable treatment devices 10 for use with the system 1 can be found in U.S. patent application Ser. No. 15/594,410, filed May 12, 2017, which is incorporated by reference herein in its entirety. Although the sheathing tools discussed below are described with reference to the treatment device 10 shown in FIGS. 1 and 2, the sheathing tools disclosed herein may be utilized to sheath or re-sheath any expandable treatment device deliverable through a catheter.

## 2. Selected Embodiments of Sheathing Tools and Associated Methods of Use

FIGS. 3A and 3C are an isometric view and a top view of a sheathing tool 200, respectively, in a first position configured in accordance with embodiments of the present technology. FIGS. 3B and 3D are an isometric view and a top view of the sheathing tool 200, respectively, in a second position configured in accordance with embodiments of the present technology. Referring to FIGS. 3A-3D together, the sheathing tool 200 may include a housing 202 having a first portion 212 and a second portion 222 slidably coupled to the first portion 212. The first portion 212 may include a first protrusion 210 and first arms 211 extending distally beyond the first protrusion 210, and the second portion 222 may include a second protrusion 220 and second arms 221 extending proximally beyond the second protrusion 220. The first and second arms 211, 221 can be coupled along at least a portion of their lengths and together surround an open interior region 208 of the housing 202 into which the first and second protrusions 210, 220 extend. As such, the first and second protrusions 210, 220 are spaced apart from the adjacent first and second arms 211, 221. In some embodiments, the first protrusion 210 is not spaced apart from the adjacent first arms 211.

FIG. 3E is an enlarged, isolated, cross-sectional view of a distal region of the first protrusion 210. As shown in FIG. 3E, the first protrusion 210 may include a first channel 216 extending distally from a proximal region of the proximal portion 212 of the housing 202 to a first opening 214. In some embodiments the first channel 216 may be configured to receive the treatment device 10 in a constrained state therethrough, and in some embodiments the first channel 216 may be configured to receive the sheath 19. In FIG. 3E, for example, the first sheath segment 31 is shown positioned within the first channel 216. The first channel 216 may be surrounded by a generally tubular sidewall having an outer diameter OD1 that tapers in a distal direction. An inner diameter ID1 of the first channel 216 may taper distally to

11

help guide the first element 17 in a generally constrained state towards the second opening 224.

FIG. 3F is an enlarged, isolated, cross-sectional view of a proximal region of the second protrusion 220. As shown in FIG. 3E, the second protrusion 220 may include a second channel 226 extending proximally from a distal region of the distal portion 222 of the housing 202 to a second opening 224. In some embodiments the second channel 226 may be configured to receive the treatment device 10 in a constrained state therethrough, and in some embodiments the second channel 226 may be configured to receive the sheath 19. In FIG. 3F, for example, the second sheath segment 33 is shown positioned within the second channel 226. The second channel 226 may be surrounded by a generally tubular sidewall having an outer diameter OD2 that tapers in a proximal direction to facilitate positioning the second element 15 over the second protrusion 220. In some embodiments, an inner diameter ID2 of the second channel 216 may taper distally to help guide and/or deflect the first element 17 into the second channel 226 and/or the second sheath segment 33.

When the sheathing tool 200 is in a first position, the first and second openings 214, 224 are spaced apart by a gap g having a first length, and when the sheathing tool 200 is in a second position, the first and second openings 214, 224 are spaced apart by a gap g having a second length less than the first length. The second length may be great enough to allow the second element 15 to self-expand such that the second element 15 is positioned over the sidewall while the first element 17 generally maintains its diameter in the constrained state while crossing the gap g. In other words, because the first element 17 does not have enough space between the first and second openings 214, 224 to expand, the first element 17 crosses the gap g in a constrained state which allows the first element 17 to enter through the second opening 224. If the gap g is too long, the distal ends of the first element 17 may begin to expand/splay outwardly and prevent the first element 17 from entering the second channel 226. Likewise, if the gap g is too short, the second element 15 may not have enough room for the distal portion 15b to flare radially outwardly to an extent that allows the second element 15 to extend over the second protrusion 222 and/or receive the second protrusion 222 within the lumen 27 (FIG. 2) of the distal region 15b.

FIGS. 4A-4H illustrate a method of using the sheathing tool 200 to sheath and/or re-sheath the treatment device 10. As shown in FIG. 4A, in some embodiments the treatment device 10 may first be withdrawn proximally from a treatment site through the blood vessel lumen and catheter 100. Once removed from the catheter 100, the treatment device 10 may be in an expanded, unconstrained state in the second position such that the second element 15 is inverted over the first element 17. As shown in FIG. 4B, the treatment device 10 in the second position may then be pulled proximally through the second sheath segment 33, then the sheathing tool 200, and into the first sheath segment 31. For example, a proximal end of the elongated member 12 may be inserted into an opening at the distal portion 33b of the second segment 33, and the rest of the elongated member 12 may be pushed proximally through the second sheath segment 33, the sheathing tool 200, and at least a portion of the first sheath segment 31 (and/or pulled once the proximal end of the elongated member 12 exits a proximal portion 31a of the first sheath segment 31). Once a distal portion of the treatment device 10 is aligned with or proximal of the first opening 214, the elongated member 12 may then be pushed distally, thereby advancing the first and second elements 17,

12

15 across the gap g, as shown in FIG. 4C. While moving the treatment device 10 across the gap, the first element 17 may maintain its cross-sectional dimension in the constrained state while the second element 15 expands over the sidewall surrounding the second opening 224. (In FIG. 4C, the first and second elements 17, 15 are shown in cross-section for ease of viewing the treatment device 10 within the gap g.) In some embodiments, the first element 17 may be advanced across the gap g and into the second opening 224 while the sheathing tool 200 is in the first position. In some embodiments, the first element 17 may only be advanced across a portion of the gap g (and not into the second opening 224) while the sheathing tool 200 remains in the first position.

As shown in FIG. 4D, the first portion 212 of the housing 202 may be moved towards the second portion 222 of the housing 202 and secured in place by one or more detents and/or other securement features of the housing 202. Moving the first and second openings towards one another forces the second protrusion 220 further within the lumen of the second element 15. As shown in FIGS. 4E and 4F, the elongated member 12 can be pushed proximally while the sheathing tool 200 is in the second position, thereby advancing the first element 17 further within the second channel 126 and/or second sheath segment 33. As the elongated member 12 is advanced distally, the second element 15 extends further distally along the second protrusion 220 until its fixed end portion pulls the second element 15 into the second channel 226. As such, a portion of the second element may move in a first direction through the second channel while a second portion of the second element moves in a second direction opposite the first direction outside of the second channel 226. As shown in FIG. 4G, the second sheath segment 33 may then be coupled to the catheter 100. As shown in FIG. 4H, the elongated member 12 may be pushed proximally to transfer the treatment device 10 in the first position from the second sheath segment 33 to the catheter 100.

FIGS. 5A and 5B are an isometric view and a top cross-sectional view, respectively, of a sheathing tool shown in a first position configured in accordance with some embodiments of the present technology. FIGS. 5C and 5D are an isometric view and a top cross-sectional view, respectively, of the sheathing tool shown in FIGS. 5A and 5B in a second position configured in accordance with some embodiments of the present technology.

FIGS. 6A and 6B are a top view and a side cross-sectional view, respectively, of a sheathing tool 600 shown in a first position configured in accordance with some embodiments of the present technology. In some embodiments, such as that shown in FIGS. 6A and 6B, the housing 202 may be a single component and/or the first and second openings are spaced apart by a fixed distance.

FIG. 7A is an isometric view of a sheathing tool in a first position configured in accordance with the present technology. FIG. 7B is an isometric view of the sheathing tool of FIG. 7A in a second position configured in accordance with the present technology. FIG. 7C is a side cross-sectional view of the sheathing tool as shown in FIG. 7B. FIG. 7D is an isometric view of the connector of the sheathing tool shown in FIGS. 7A-7C.

FIG. 8A is an isometric view of a sheathing tool in a first position configured in accordance with the present technology. FIG. 8B is a side cross-sectional view of the sheathing tool of FIG. 8A in a second position configured in accordance with the present technology. FIG. 8C is an isometric view of the connector of the sheathing tool shown in FIGS. 8A and 8B.



FIG. 9A is an isometric view of a sheathing tool in a first position configured in accordance with the present technology. FIG. 9B is an isometric view of the sheathing tool of FIG. 7A in a second position configured in accordance with the present technology.

### 3. Conclusion

This disclosure is not intended to be exhaustive or to limit the present technology to the precise forms disclosed herein. Although specific embodiments are disclosed herein for illustrative purposes, various equivalent modifications are possible without deviating from the present technology, as those of ordinary skill in the relevant art will recognize. In some cases, well-known structures and functions have not been shown and/or described in detail to avoid unnecessarily obscuring the description of the embodiments of the present technology. Although steps of methods may be presented herein in a particular order, in alternative embodiments the steps may have another suitable order. Similarly, certain aspects of the present technology disclosed in the context of particular embodiments can be combined or eliminated in other embodiments. Furthermore, while advantages associated with certain embodiments may have been disclosed in the context of those embodiments, other embodiments can also exhibit such advantages, and not all embodiments need necessarily exhibit such advantages or other advantages disclosed herein to fall within the scope of the present technology. Accordingly, this disclosure and associated technology can encompass other embodiments not expressly shown and/or described herein.

Throughout this disclosure, the singular terms “a,” “an,” and “the” include plural referents unless the context clearly indicates otherwise. Similarly, unless the word “or” is expressly limited to mean only a single item exclusive from the other items in reference to a list of two or more items, then the use of “or” in such a list is to be interpreted as including (a) any single item in the list, (b) all of the items in the list, or (c) any combination of the items in the list. Additionally, the terms “comprising” and the like are used throughout this disclosure to mean including at least the recited feature(s) such that any greater number of the same feature(s) and/or one or more additional types of features are not precluded. Directional terms, such as “upper,” “lower,” “front,” “back,” “vertical,” and “horizontal,” may be used herein to express and clarify the relationship between various elements. It should be understood that such terms do not denote absolute orientation. Reference herein to “one embodiment,” “an embodiment,” or similar formulations means that a particular feature, structure, operation, or characteristic described in connection with the embodiment can be included in at least one embodiment of the present technology. Thus, the appearances of such phrases or for-

mulations herein are not necessarily all referring to the same embodiment. Furthermore, various particular features, structures, operations, or characteristics may be combined in any suitable manner in one or more embodiments.

We claim:

1. A system for sheathing a treatment device, the system comprising: the treatment device having an elongated member and a first element and a second element at a distal region of the elongated member, a sheath configured to receive the treatment device in a constrained state therethrough; a first channel extending to a first opening and configured to receive at least a portion of the sheath; and a second channel extending to a second opening, the second opening surrounded by a sidewall and configured to receive the treatment device in the constrained state therethrough, wherein the second opening is spaced apart from the first opening by a gap, and wherein a length of the gap allows the first element to self-expand over the sidewall while the second element generally maintains its diameter in the constrained state while crossing the gap.

2. The system of claim 1, further comprising a fluid port coupled to a proximal end portion of the sheath.

3. The system of claim 1, wherein the sheath is a first sheath and the system further comprises a second sheath configured to receive the treatment device in a constrained state therethrough, and wherein the second channel is configured to receive at least a portion of the second sheath therein.

4. The system of claim 3, further comprising a catheter, and wherein the second sheath is configured to be coupled to the catheter.

5. A system for sheathing a treatment device, the system comprising: the treatment device having an elongated member and a first element and a second element at a distal region of the elongated member, a sheath configured to receive the treatment device in a constrained state therethrough; a sheathing tool comprising: a first channel extending to a first opening and configured to receive at least a portion of the sheath, and a second channel extending to a second opening, the second opening surrounded by a sidewall and configured to receive the treatment device in the constrained state therethrough, wherein the second opening is spaced apart from the first opening by a gap, and wherein a length of the gap allows the first element to self-expand over the sidewall while the second element generally maintains its diameter in the constrained state while crossing the gap; a housing configured to be detachably coupled to the sheath and the sheathing tool, wherein a majority of the length of the sheath is contained within a perimeter of the housing such that a user may manipulate both ends of the sheath and/or treatment device.

\* \* \* \* \*